



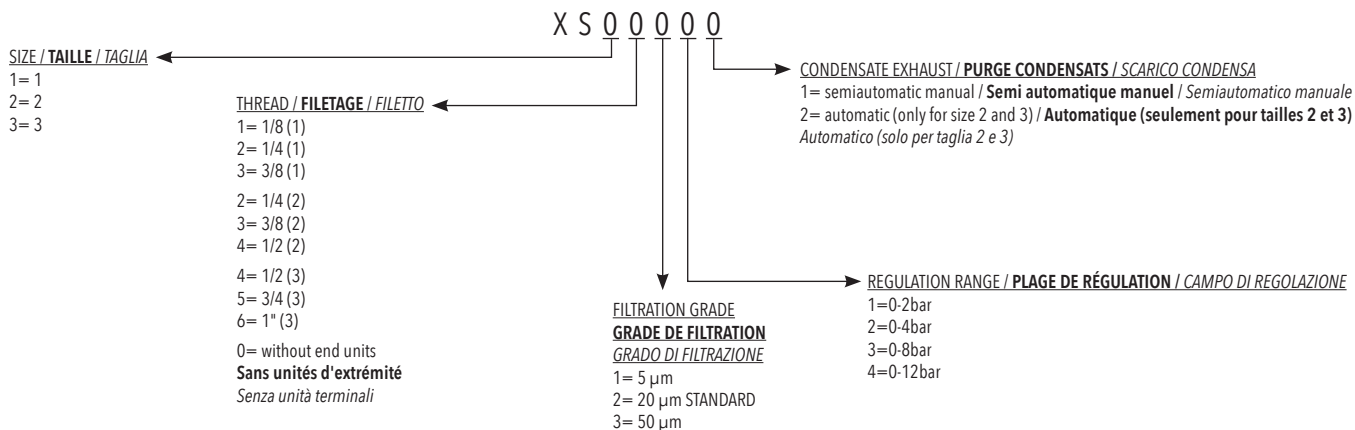
**TECHNICAL DATA / DONNÉES TECHNIQUES / DATI TECNICI**

|   |                                       |                     |                       |
|---|---------------------------------------|---------------------|-----------------------|
| Fluid / <b>Fluide</b> / <i>Fluido</i>   | Air / <b>Air</b> / <i>Aria</i>        |                     |                       |
| Maximum pressure / <b>Pression Max</b> / <i>Pressione Max</i>   | 15 bar                                |                     |                       |
| Temperature / <b>Température</b> / <i>Temperatura</i>   | -10° C / +50° C                       |                     |                       |
| Filtration grade / <b>Grade de filtration</b> / <i>Grado di filtrazione</i>   | 5 - 20 - 50µm                         |                     |                       |
| Regulation range / <b>Plage de régulation</b> / <i>Campo di regolazione</i>   | 0-2bar 0-4bar 0-8bar standard 0-12bar |                     |                       |
| 6 bar flow rate with $\Delta p$ 1bar / <b>Débit à 6 bar avec <math>\Delta p</math> à 1bar</b> / <i>Portata a 6 bar con <math>\Delta p</math> 1bar</i> | 1=1100NI/min                          | 2=2500NI/min        | 3=4300NI/min          |
| Bowl capacity / <b>Volume</b> / <i>Capacità tazza</i>   | 1=22cm <sup>3</sup>                   | 2=46cm <sup>3</sup> | 3=89,5cm <sup>3</sup> |
| Wall clamping screws / <b>Vis pour fixation</b> / <i>Viti per fissaggio</i>   | 1=M4X14                               | 2=M5X18             | 3=M6X20               |

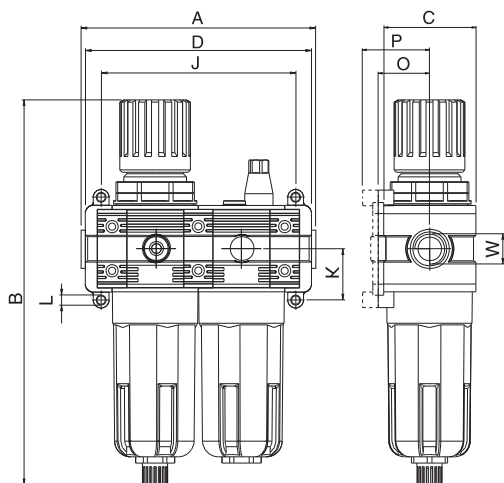
**STANDARD PRODUCTS / PRODUIT STANDARD / PRODOTTI STANDARD**

| Code<br><b>Code</b><br><i>Codice</i> | Size<br><b>Taille</b><br><i>Taglia</i> | Thread<br><b>Filetage</b><br><i>Filetto</i> | Filtration<br><b>Filtration</b><br><i>Filtrazione</i> | Flow rate<br><b>Débit</b><br><i>Portata</i> | Regulation<br><b>Régulation</b><br><i>Regolazione</i> | Exhaust<br><b>Purge</b><br><i>Scarico</i> |
|--------------------------------------|--|---|---|---|---|---|
| XS12231                              | 1                                      | 1/4   | 20µm  | 1100NI/min                                  | 0 - 8bar  | S/M                                       |
| XS13231                              | 1                                      | 3/8   | 20µm  | 1100NI/min                                  | 0 - 8bar  | S/M                                       |
| XS23231                              | 2                                      | 3/8   | 20µm  | 2500NI/min                                  | 0 - 8bar  | S/M                                       |
| XS24231                              | 2                                      | 1/2   | 20µm  | 2500NI/min                                  | 0 - 8bar  | S/M                                       |
| XS24232                              | 2                                      | 1/2   | 20µm  | 2500NI/min                                  | 0 - 8bar  | A   |
| XS35231                              | 3                                      | 3/4   | 20µm  | 4300NI/min                                  | 0 - 8bar  | S/M                                       |
| XS36231                              | 3                                      | 1"  | 20µm  | 4300NI/min                                  | 0 - 8bar  | S/M                                       |
| XS36232                              | 3                                      | 1"  | 20µm  | 4300NI/min                                  | 0 - 8bar  | A   |

**ORDERING CODE / CODIFICATION / CHIAVE DI CODIFICA**



**DIMENSIONS / DIMENSIONS / DIMENSIONI**



|          | SIZE / TAILLE / TAGLIA |                 |                 |
|----------|------------------------|-----------------|-----------------|
|          | 1                      | 2               | 3               |
| <b>A</b> | 129                    | 159             | 180             |
| <b>B</b> | 198                    | 244,5           | 273             |
| <b>C</b> | 45                     | 59              | 70              |
| <b>D</b> | 119                    | 144             | 171 - 171 - 176 |
| <b>W</b> | 1/8 - 1/4 - 3/8        | 1/4 - 3/8 - 1/2 | 1/2 - 3/4 - 1"  |
| <b>J</b> | 97                     | 124             | 144             |
| <b>K</b> | 26                     | 32,5            | 38              |
| <b>L</b> | Ø X M4                 | Ø X M5          | Ø X M6          |
| <b>O</b> | 26                     | 32              | 38,5            |
| <b>P</b> | 32,5                   | 38,5            | 45              |