



**TECHNICAL DATA / DONNÉES TECHNIQUES / DATI TECNICI**

Fluid / <b>Fluide</b> / Fluido	Air / <b>Air</b> / Aria
Maximum pressure / <b>Pression Max</b> / Pressione	Max 15 bar
Temperature / <b>Température</b> / Temperatura	-10° C / +50° C
Filtration grade / <b>Finesse de filtration</b> / Grado di filtrazione	5 - 20 - 50µm
6bar flow rate with Δp 1bar / <b>Débit à 6 bar avec Δp à 1 bar</b> / Portata a 6 bar con Δp 1bar	800 NI/min
Bowl capacity / <b>Volume</b> / Capacità tazza	17,5cm <sup>3</sup>

**STANDARD PRODUCTS / PRODUIT STANDARD / PRODOTTI STANDARD**

Code <b>Code</b> Codice	Size <b>Taille</b> Taglia	Thread <b>Filetage</b> Filetto	Filtration <b>Filtration</b> Filtrazione	Flow rate <b>Débit</b> Portata	Exhaust <b>Purge</b> Scarico
XF0121	0	1/8	20µm	800NI/min	S/M
XF0221	0	1/4	20µm	800NI/min	S/M

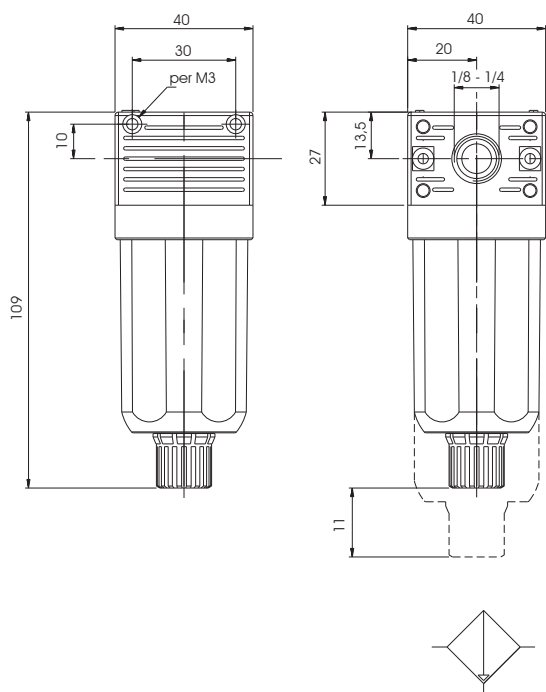
S/M: Semi-automatic / Manual / **Semi-automatique** / Manuel / Semiautomatico / Manuale

**ORDERING CODE / CODIFICATION / CHIAVE DI CODIFICA**

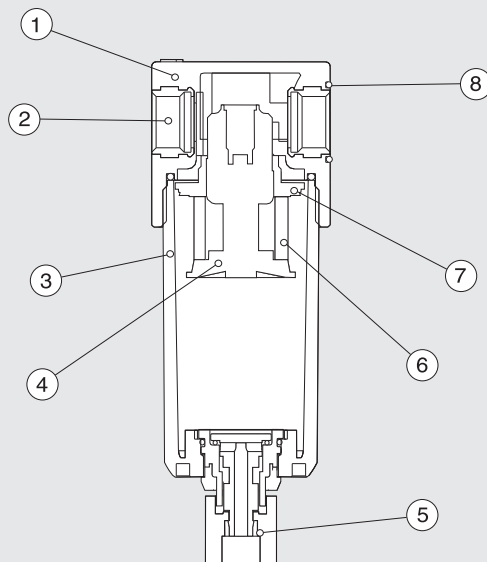
**X F 0 0 0 1**

- **FILTRATION GRADE / DEGRÉ DE FILTRATION / GRADO DI FILTRAZIONE**  
1= 5 µm  
2= 20 µm STANDARD  
3= 50 µm
- **THREAD / FILETAGE / FILETTO**  
1=G 1/8  
2=G 1/4

**DIMENSIONS / DIMENSIONS / DIMENSIONI**



**COMPONENTS / COMPOSANTS / COMPONENTI**



- |   |  |                                      |
|---|--|--------------------------------------|
| 1 | body / <b>corps</b> / corpo  | polymer / <b>polymère</b> / polimero |
| 2 | threaded insert / <b>filetage</b> / inserto filettato                  | brass / <b>laiton</b> / ottone       |
| 3 | bowl / <b>bol</b> / tazza  | polymer / <b>polymère</b> / polimero |
| 4 | filter ring / <b>bague de filtre</b> / portafiltro                     | polymer / <b>polymère</b> / polimero |
| 5 | condensate exhaust / <b>purge condensats</b> / scarico condensa        | polymer / <b>polymère</b> / polimero |
| 6 | filtering cartridge / <b>cartouche filtrante</b> / cartuccia filtrante | PE                                   |
| 7 | slinger / <b>bague de glissement</b> / centrifugatore                  | polymer / <b>polymère</b> / polimero |
| 8 | o-ring / <b>joint torique</b> / o-ring                                 | NBR                                  |