



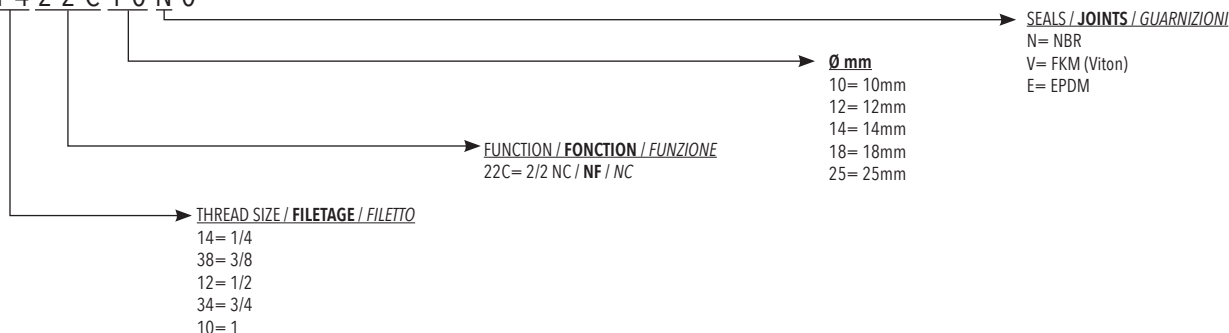
VQ membrane electrovalves, are particularly suitable to control water, air, inert gas, steam and for all fluids in general (not aggressive).  
The extremely compact brass body, gives them the possibility to be used in very small places. They're available in different versions as 2/2, 3/2 NC and NO and with NBR, Viton or EPDM seals.

**Les électrovannes de la série VQ à membrane sont particulièrement appropriées pour contrôler l'eau, l'air, le gaz inerte, la vapeur d'eau et tous les fluides généralement non agressifs. Le corps en laiton est compact et permet une utilisation dans des espaces confinés. Plusieurs versions sont disponibles comme 2/2, 3/2 NF et NO et joints en NBR, Viton ou EPDM.**

*Le elettrovalvole della serie VQ a membrana sono particolarmente indicate per il controllo di acqua, aria, gas inerti, vapore e in generale di fluidi aggressivi. Il corpo in ottone estremamente compatto ne permettono l'utilizzo in spazi molto ristretti. Sono disponibili diverse versioni tra cui 2/2 NC con guarnizioni in NBR, Viton e EPDM.*

**ORDERING CODE / CODIFICATION / CHIAVE DI CODIFICA**

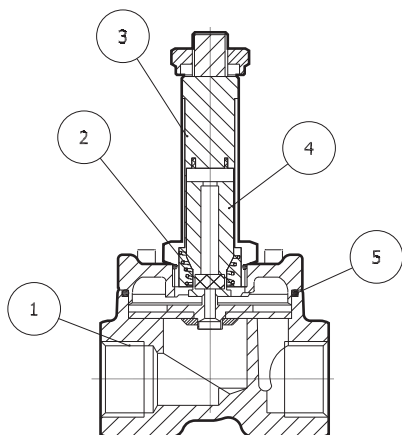
V Q M 1 4 2 2 C 1 0 N 0



**TECHNICAL CHARACTERISTICS / CARACTÉRISTIQUES TECHNIQUES / CARATTERISTICHE TECNICHE**

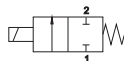
| Max. allowable pressure / Pression de service max. / Pressione massima ammissibile | 25 bar |                |  |
|--|--------|----------------|--|
| Temperature range / Température d'utilisation / Temperatura di utilizzo            | NBR    | -10°C / +90°C  | Air, inert gas, water max 75 °C, mineral oils, gas oil, fuel oils<br><b>Air, gas neutres, eau max. 75°C, huiles minerales, diesel, mazout</b><br><i>Aria, gas inerti, acqua max 75 °C, oli minerali, gasolio, oli combustibili</i> |
|  | FKM    | -10°C / +140°C | Mineral oils, gasoline, gas oil, fuel oils<br><b>Huiles minerales, essence, mazout</b><br><i>Oli minerali, benzina, oli combustibili</i>   |
|  | EPDM   | -10°C / +140°C | Hot water, steam (max pressure 2.5 bar)<br><b>Eau chaude, vapeur (Pression de service max 2.5bar)</b><br><i>Acqua calda, vapore (pressione max 2.5 bar)</i>  |

**COMPONENTS / COMPOSANTS / COMPONENTI**



| N. | DESCRIPTION / DESCRIPTION / DESCRIZIONE       | MATERIAL / MATIÈRE / MATERIALE              |
|----|---|---|
| 1  | Body / Corps / Corpo                          | Brass / Laiton / Ottone                     |
| 2  | Springs / Ressort / Molle                     | Stainless Steel / Acier inox / Acciaio inox |
| 3  | Armature tube / Tube de pilotage / Tubo guida | Stainless Steel / Acier inox / Acciaio inox |
| 4  | Core / Noyau / Nucleo                         | Stainless Steel / Acier inox / Acciaio inox |
| 5  | Seals / Joints / Guarnizioni                  | NBR - EPDM - FKM                            |

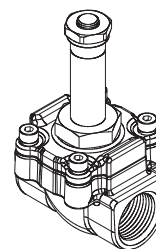
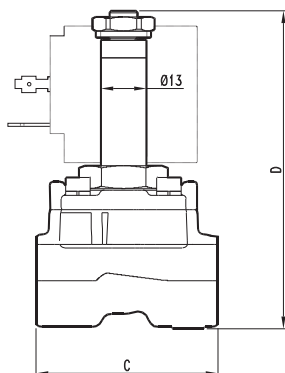
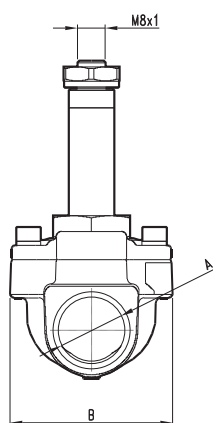
2/2 NC / NF / NC



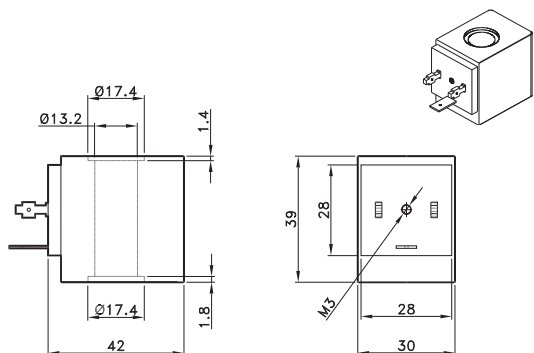
| Code<br>Code<br>Codice | Seals<br>Joints<br>Guarnizioni | Thread size<br>Filetage<br>Filetto | Ø mm | Viscosity (Max cSt)<br>Viscosité (Max cSt)<br>Viscosità (Max cSt) | Kv<br>m³/h | Power / Puissance<br>Potenza |         | ΔP [bar] |      |
|------------------------|--------------------------------|------------------------------------|------|---|------------|------------------------------|---------|----------|------|
|                        |                                |                                    |      |   |            | DC (W)                       | AC (VA) | min      | max  |
| VQM1422C10N            | NBR                            | 1/4                                | 10   | 25  | 1.58       | 14                           | -       | 0        | 12.2 |
| VQM1422C10V            | FKM                            |                                    |      |   |            | 22                           | -       | 0        | 14.1 |
| VQM1422C10E            | EPDM                           |                                    |      |   |            | -                            | 14      | 0        | 6.3  |
| VQM3822C12N            | NBR                            | 3/8                                | 12   | 25  | 2.34       | -                            | 21      | 0        | 13.2 |
| VQM3822C12V            | FKM                            |                                    |      |   |            | -                            | 31      | 0        | 13.8 |
| VQM3822C12E            | EPDM                           |                                    |      |   |            | -                            | -       | 0        | 12.2 |
| VQM3822C14N            | NBR                            | 3/8                                | 14   | 25  | 2.73       | 14                           | -       | 0        | 12.2 |
| VQM3822C14V            | FKM                            |                                    |      |   |            | 22                           | -       | 0        | 14.1 |
| VQM3822C14E            | EPDM                           |                                    |      |   |            | -                            | 14      | 0        | 6.3  |
| VQM1222C12N            | NBR                            | 1/2                                | 12   | 25  | 2.36       | -                            | 21      | 0        | 13.2 |
| VQM1222C12V            | FKM                            |                                    |      |   |            | -                            | 31      | 0        | 13.8 |
| VQM1222C12E            | EPDM                           |                                    |      |   |            | -                            | -       | 0        | 12.2 |
| VQM1222C14N            | NBR                            | 1/2                                | 14   | 25  | 2.75       | 14                           | -       | 0        | 12.2 |
| VQM1222C14V            | FKM                            |                                    |      |   |            | 22                           | -       | 0        | 14.1 |
| VQM1222C14E            | EPDM                           |                                    |      |   |            | -                            | 14      | 0        | 6.3  |
| VQM3422C18N            | NBR                            | 3/4                                | 18   | 25  | 4.08       | -                            | 21      | 0        | 13.2 |
| VQM3422C18V            | FKM                            |                                    |      |   |            | -                            | 31      | 0        | 13.8 |
| VQM3422C18E            | EPDM                           |                                    |      |   |            | -                            | -       | 0        | 8.3  |
| VQM1022C25N            | NBR                            | 1                                  | 25   | 25  | 6.63       | 14                           | -       | 0        | 8.3  |
| VQM1022C25V            | FKM                            |                                    |      |   |            | 22                           | -       | 0        | 12.2 |
| VQM1022C25E            | EPDM                           |                                    |      |   |            | -                            | 14      | 0        | 5.1  |
|                        |                                |                                    |      |   |            | -                            | 21      | 0        | 9.8  |
|                        |                                |                                    |      |   |            | -                            | 31      | 0        | 10.6 |

Valves / Valves / Valvole

MEMBRANE SOLENOID VALVES / ELECTROVANNES A MEMBRANE / ELETTROVALVOLE A MEMBRANA



| Size / Taille / Taglia | A     | B    | C    | D     |
|------------------------|-------|------|------|-------|
| 1/4"                   | G 1/4 | 40   | 44   | 83.7  |
| 3/8"                   | G 3/8 | 46.5 | 52   | 90.8  |
| 1/2"                   | G 1/2 | 46.5 | 52   | 90.8  |
| 3/4"                   | G 3/4 | 56.5 | 61.9 | 96.5  |
| 1"                     | G 1   | 66   | 72.5 | 104.7 |



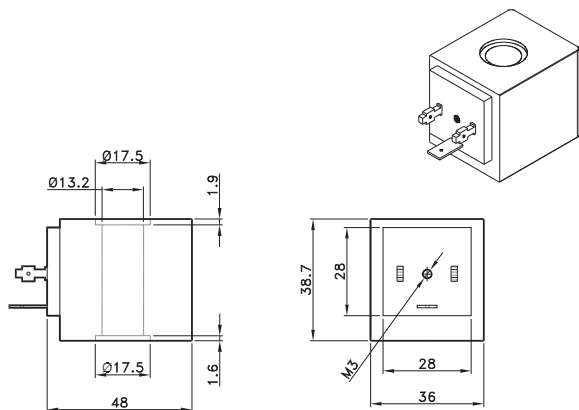
COILS 30 mm WITH HOLE 13mm  
**BOBINE 30 mm AVEC TROU 13mm**  
*BOBINE 30 mm CON FORO 13mm*

Power / **Absorption** / *Assorbimento*

| CODE             | Tension<br><b>Tension</b><br><i>Tensione</i> | Power<br><b>Puissance</b><br><i>Potenza</i> |
|------------------|--|---|
| <b>BO4031012</b> | 12 V DC                                      | 14 W  |
| <b>BO4031024</b> | 24 V DC                                      | 14 W  |
| <b>BO4032024</b> | 24 V AC                                      | 14 VA                                       |
| <b>BO4032110</b> | 110 V AC                                     | 14 VA                                       |
| <b>BO4032220</b> | 220 V AC                                     | 14 VA                                       |

TECHNICAL SPECIFICATIONS  
**CARACTERISTIQUES TECHNIQUES**  
*CARATTERISTICHE TECNICHE*

|  |         |
|--|---------|
| Tension tolerance / <b>Tolérance tension</b> / <i>Tolleranza di tensione</i>                         | +10%    |
| Protection with connector / <b>Protection avec connecteur</b> / <i>Protezione con connettore</i>     | IP65    |
| Max working temperature / <b>Température max d'utilisation</b> / <i>Temperatura max di esercizio</i> | + 50°C  |
| Duty cycle / <b>Temps d'enclenchement</b> / <i>Inserimento</i>                                       | ED 100% |



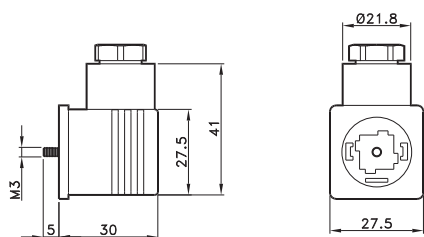
COILS 36 mm WITH HOLE 13mm  
**BOBINE 36 mm AVEC TROU 13mm**  
*BOBINE 36 mm CON FORO 13mm*

Power / **Absorption** / *Assorbimento*

| CODE             | Tension<br><b>Tension</b><br><i>Tensione</i> | Power<br><b>Puissance</b><br><i>Potenza</i> |
|------------------|--|---|
| <b>BO4041012</b> | 12 V DC                                      | 22 W  |
| <b>BO4041024</b> | 24 V DC                                      | 22 W  |
| <b>BO4042024</b> | 24 V AC                                      | 31 VA                                       |
| <b>BO4042110</b> | 110 V AC                                     | 31 VA                                       |
| <b>BO4042220</b> | 220 V AC                                     | 31 VA                                       |

TECHNICAL SPECIFICATIONS  
**CARACTERISTIQUES TECHNIQUES**  
*CARATTERISTICHE TECNICHE*

|  |         |
|--|---------|
| Tension tolerance / <b>Tolérance tension</b> / <i>Tolleranza di tensione</i>                         | +10%    |
| Protection with connector / <b>Protection avec connecteur</b> / <i>Protezione con connettore</i>     | IP65    |
| Max working temperature / <b>Température max d'utilisation</b> / <i>Temperatura max di esercizio</i> | + 50°C  |
| Duty cycle / <b>Temps d'enclenchement</b> / <i>Inserimento</i>                                       | ED 100% |



CONNECTORS 30 mm  
**CONNECTEUR 30 mm**  
*CONNETTORI 30 mm*

CODE  
**VX0027**

Cable diameter / **Diamètre du cable** / *Diametro cavo*  
6÷8 mm (22mm)  
8÷11mm (30mm)



KIT REPAIR SEALS  
**KIT DE REPARATION JOINTS**  
*KIT RIPARAZIONE GUARNIZIONI*

| CODE            | Seals<br><b>Joint</b><br><i>Guarnizioni</i> | Size<br><b>Taille</b><br><i>Taglia</i> | CODE            | Seals<br><b>Joint</b><br><i>Guarnizioni</i> | Size<br><b>Taille</b><br><i>Taglia</i> |
|-----------------|---|--|-----------------|---|--|
| <b>KZ652200</b> | NBR   | 1/4                                    | <b>KZ652400</b> | NBR   | 3/4                                    |
| <b>KZ653200</b> | FKM   | 1/4                                    | <b>KZ653400</b> | FKM   | 3/4                                    |
| <b>KZ655200</b> | EPDM  | 1/4                                    | <b>KZ655400</b> | EPDM  | 3/4                                    |
| <b>KZ652300</b> | NBR   | 3/8 - 1/2                              | <b>KZ652500</b> | NBR   | 1"                                     |
| <b>KZ653300</b> | FKM   | 3/8 - 1/2                              | <b>KZ653500</b> | FKM   | 1"                                     |
| <b>KZ655300</b> | EPDM  | 3/8 - 1/2                              | <b>KZ655500</b> | EPDM  | 1"                                     |